

PRINCIPAL PARTICULARS

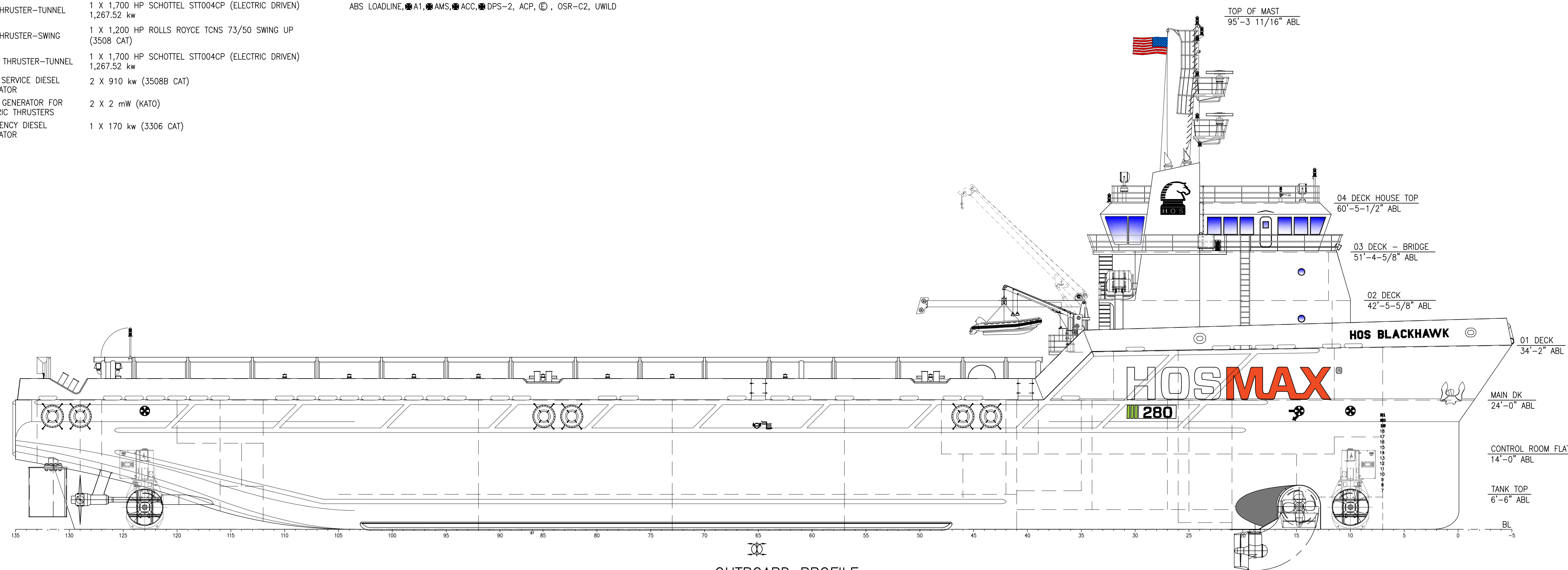
LOA	280'-0" (85.34m)
BREADTH	60'-0" (18.29m)
DEPTH	24'-0" (7.32m)
DRAFT (LOADLINE)	19.25' (5.87m)
CLEAR DECK CARGO SPACE	201' X 50.5' (61.27m X 15.40m)
CLEAR DECK CARGO AREA	10,151 ft ² (943 m ²)
CARGO DECK RATING	1,200 lb/ft ² (6 MT/m ²)
MAIN PROPULSION	(2) X 3608 CATERPILLAR, 3,299 BHP @ 1,000 RPM EACH
BOW THRUSTER-TUNNEL	1 X 1,700 HP SCHOTTEL STT004CP (ELECTRIC DRIVEN) 1,267.52 kw
BOW THRUSTER-SWING	1 X 1,200 HP ROLLS ROYCE TCNS 73/50 SWING UP (3508 CAT)
STERN THRUSTER-TUNNEL	1 X 1,700 HP SCHOTTEL STT004CP (ELECTRIC DRIVEN) 1,267.52 kw
SHIPS SERVICE DIESEL GENERATOR	2 X 910 kw (3508B CAT)
SHAFT GENERATOR FOR ELECTRIC THRUSTERS	2 X 2 mW (KATO)
EMERGENCY DIESEL GENERATOR	1 X 170 kw (3306 CAT)

ACCOMMODATIONS

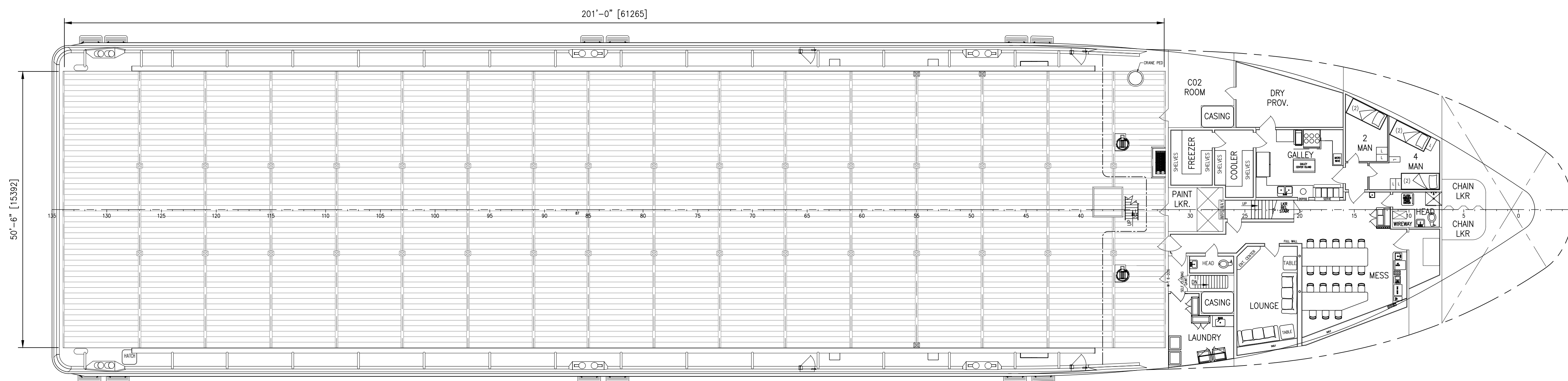
2P CREW STATEROOMS	8
4P CREW STATEROOMS	3
1P CREW STATEROOMS	1
TOTAL BERTHING:	29

REGULATORY

SOLAS 2002, MARPOL 99, USCG SUBCHAPTER 1 & L, USCG MINIMALLY MANNED ENGINE ROOM, USCG OIL RECOVERY VESSEL AUTHORIZATION (20% DWT)
ABS LOADLINE, A1, AMS, ACC, DPS-2, ACP, OSR-C2, UWILD



OUTBOARD PROFILE
STBD SIDE SHOWN, LKG PORT



MAIN DECK PLAN
24'-0" ABL

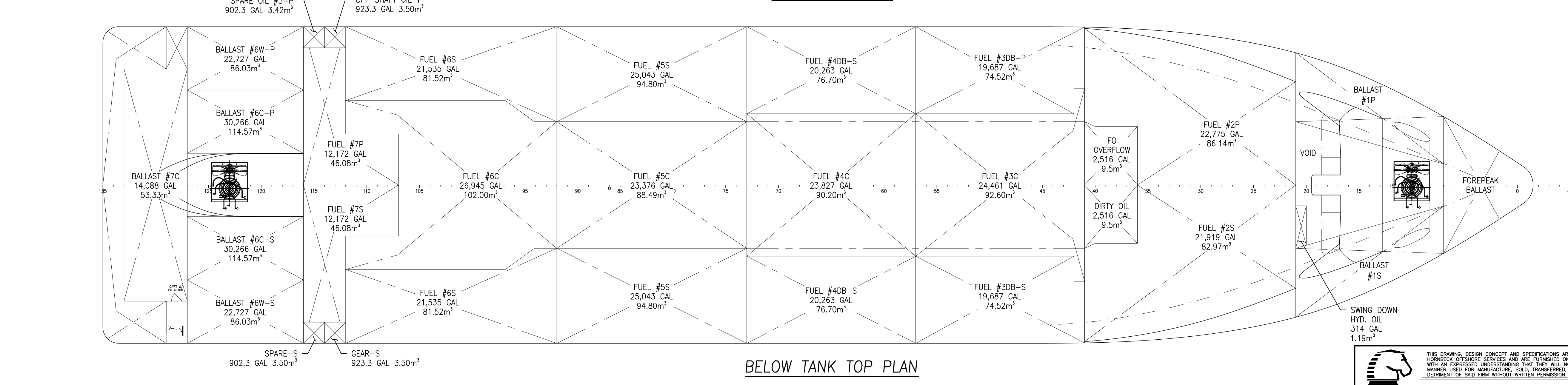
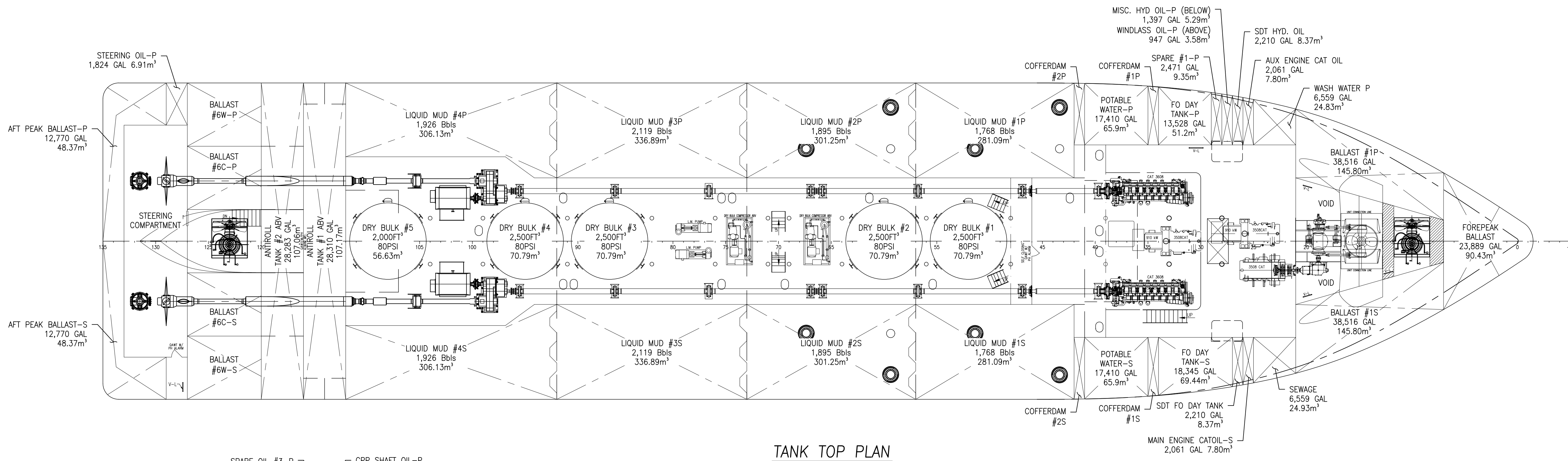
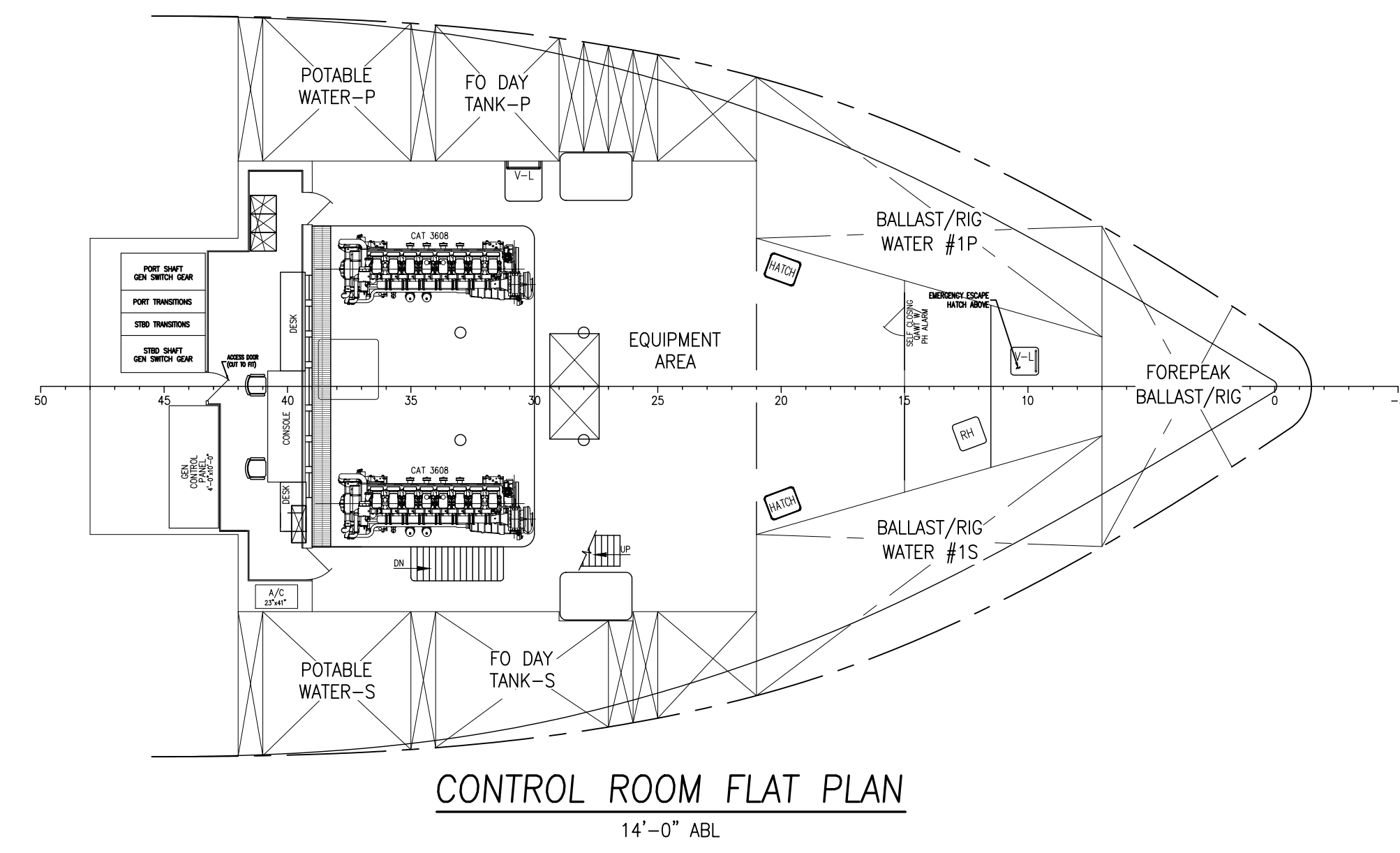
HOSMAX 280 / HOS BLACKHAWK

THIS DRAWING, DESIGN CONCEPT AND SPECIFICATIONS ARE THE PROPERTY OF HORNBECK OFFSHORE SERVICES AND ARE FURNISHED ON A CONFIDENTIAL BASIS WITH AN EXPRESSED UNDERSTANDING THAT THEY WILL NOT BE COPIED IN ANY MANNER USED FOR MANUFACTURE, SOLD, TRANSFERRED, NOR USED TO THE DETRIMENT OF SAID FIRM WITHOUT WRITTEN PERMISSION.

HORNBECK OFFSHORE SERVICES

DRAWN BY: S. MAUL	280'-0" X 60'-0" X 24'-0"			SIZE D
CHECKED BY: M. STANSBURY	OUTBOARD PROFILE & GENERAL ARRANGEMENT			
APPROVED BY: J. GUIDRY	TASK No. 7582	DRAWING No. 1,001	SCALE: 3/32"=1'-0"	REV. 1
	HULL No. 230	SY: NAS	DATE: 03/23/22	SHEET 1 OF 3

FILE: 10/20/2023 1:10 PM
DWG: JSALVILA
SHEET: A01 0 2254



		THIS DRAWING, DESIGN CONCEPT AND SPECIFICATIONS ARE THE PROPERTY OF HORNBECK OFFSHORE SERVICES AND ARE FURNISHED ON A CONFIDENTIAL BASIS WITH AN EXPRESSED UNDERSTANDING THAT THEY WILL NOT BE COPIED IN ANY MANNER USED FOR MANUFACTURING, SELLING, TRANSFERRING, NOR USED TO THE DETRIMENT OF SAID FIRM WITHOUT WRITTEN PERMISSION.		HORNBECK OFFSHORE SERVICES	
OUTBOARD PROFILE & GENERAL ARRANGEMENT		TASK No. 7582 HULL No. 230	DRAWING No. 1.001 SY: NAS	SCALE: 3/32"=1'-0" DATE: 03/23/22 SHEET 2 OF 3	SIZE D REV. 1

24

23

22

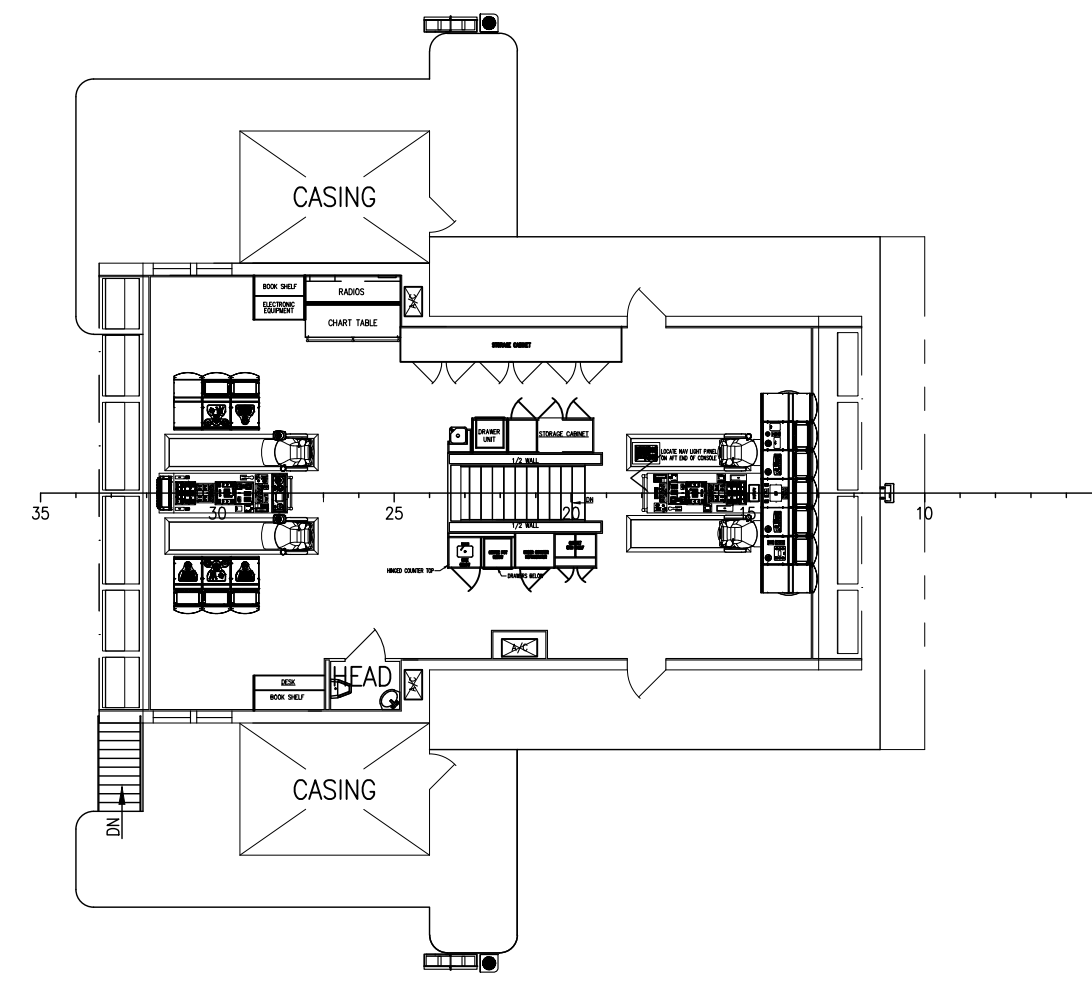
21

20

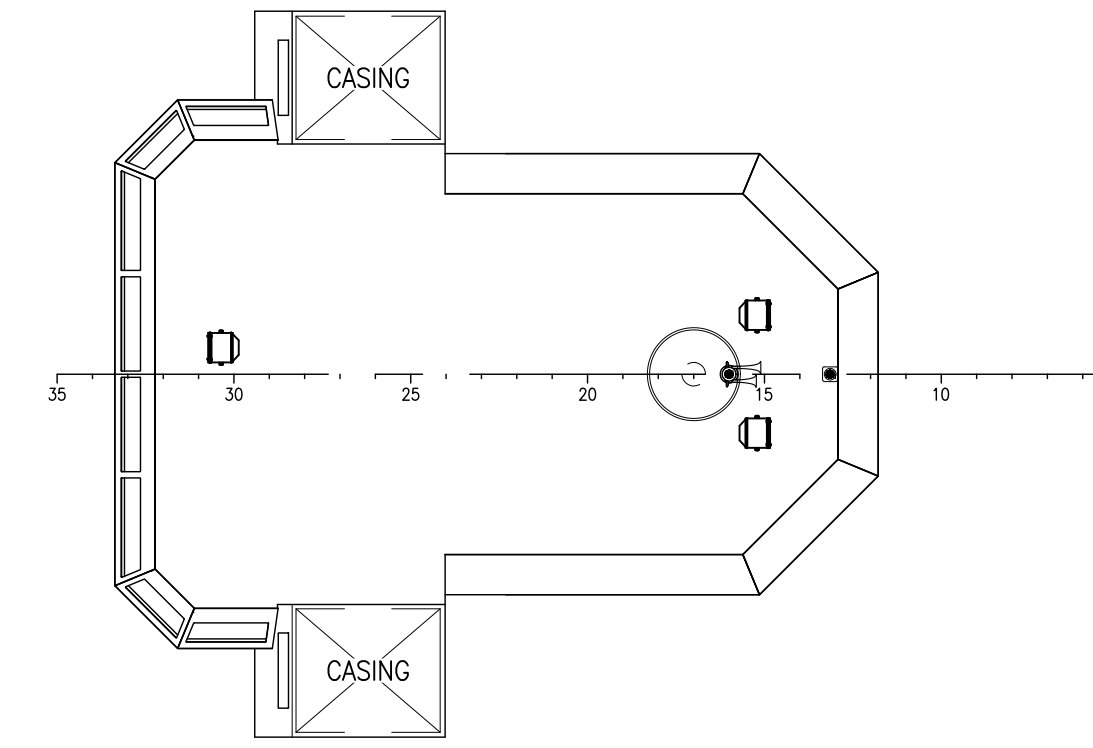
19

18

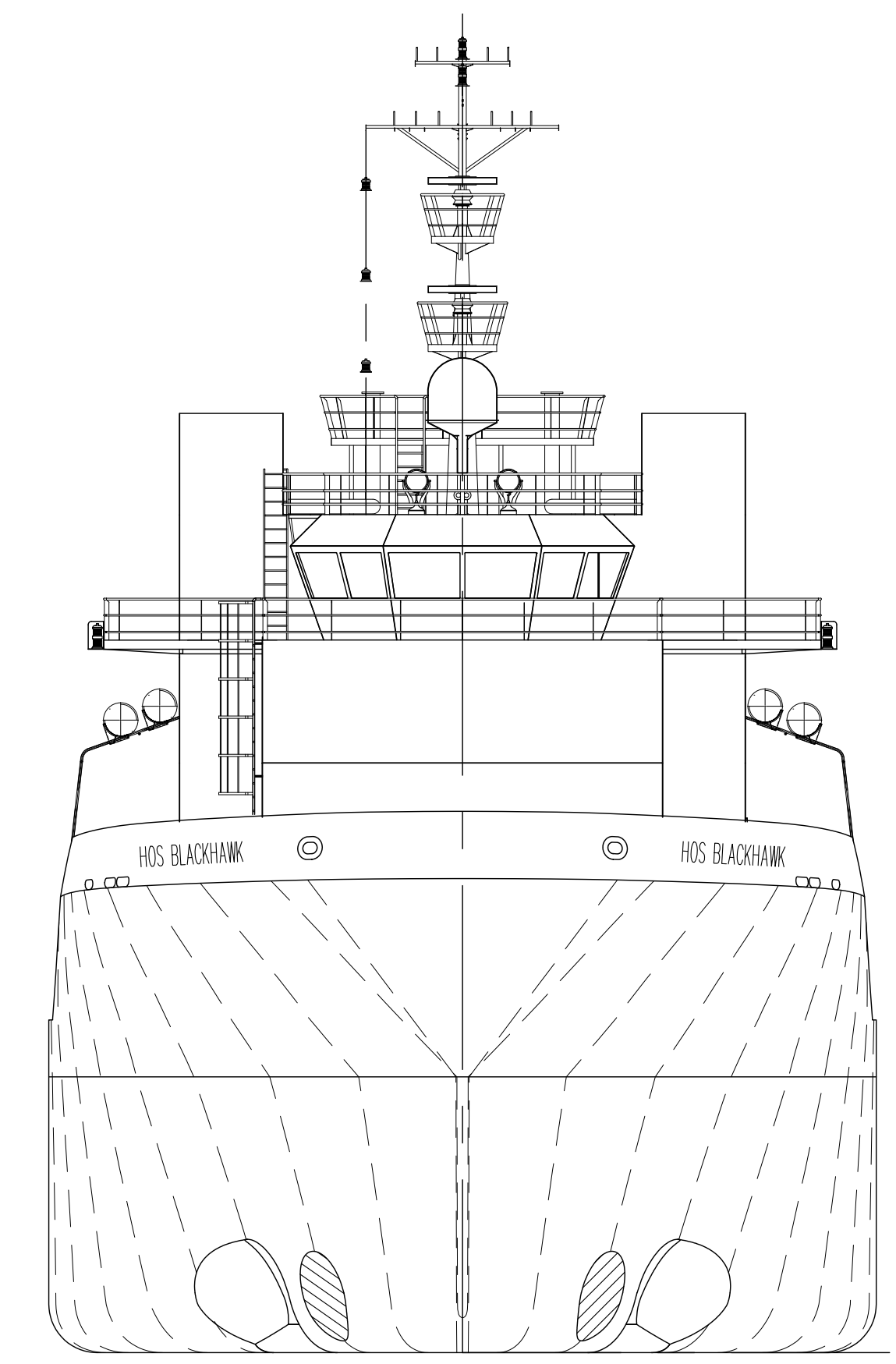
17



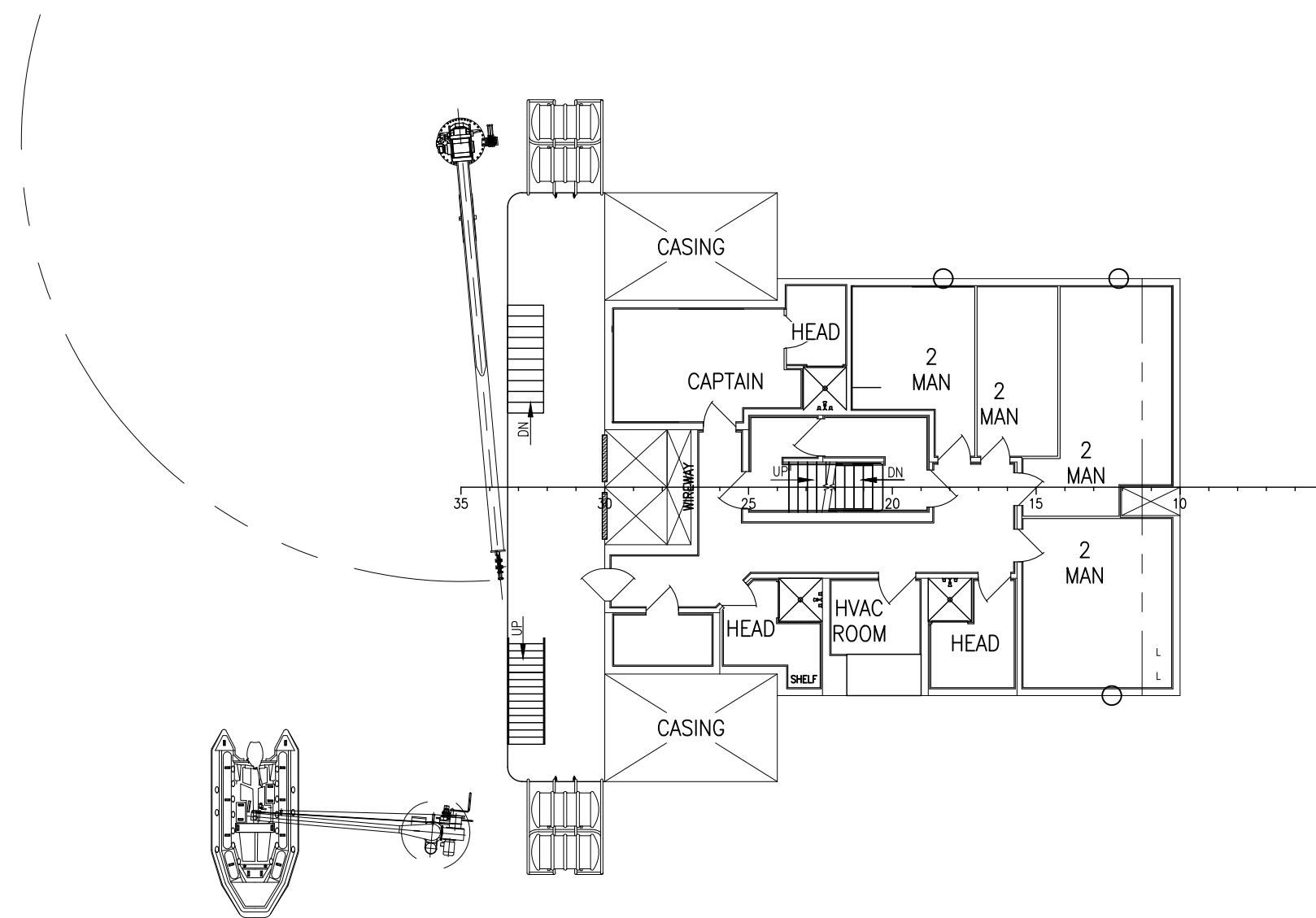
03 DECK - BRIDGE PLAN
51'-5" ABL



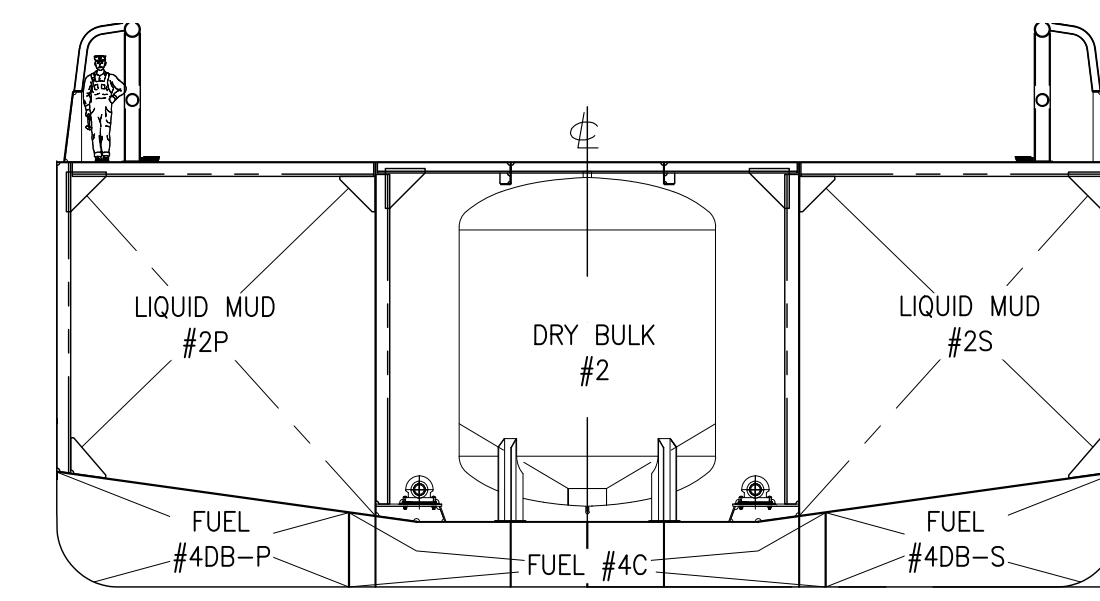
04 DECK - PILOT HOUSE TOP PLAN
60'-6" ABL



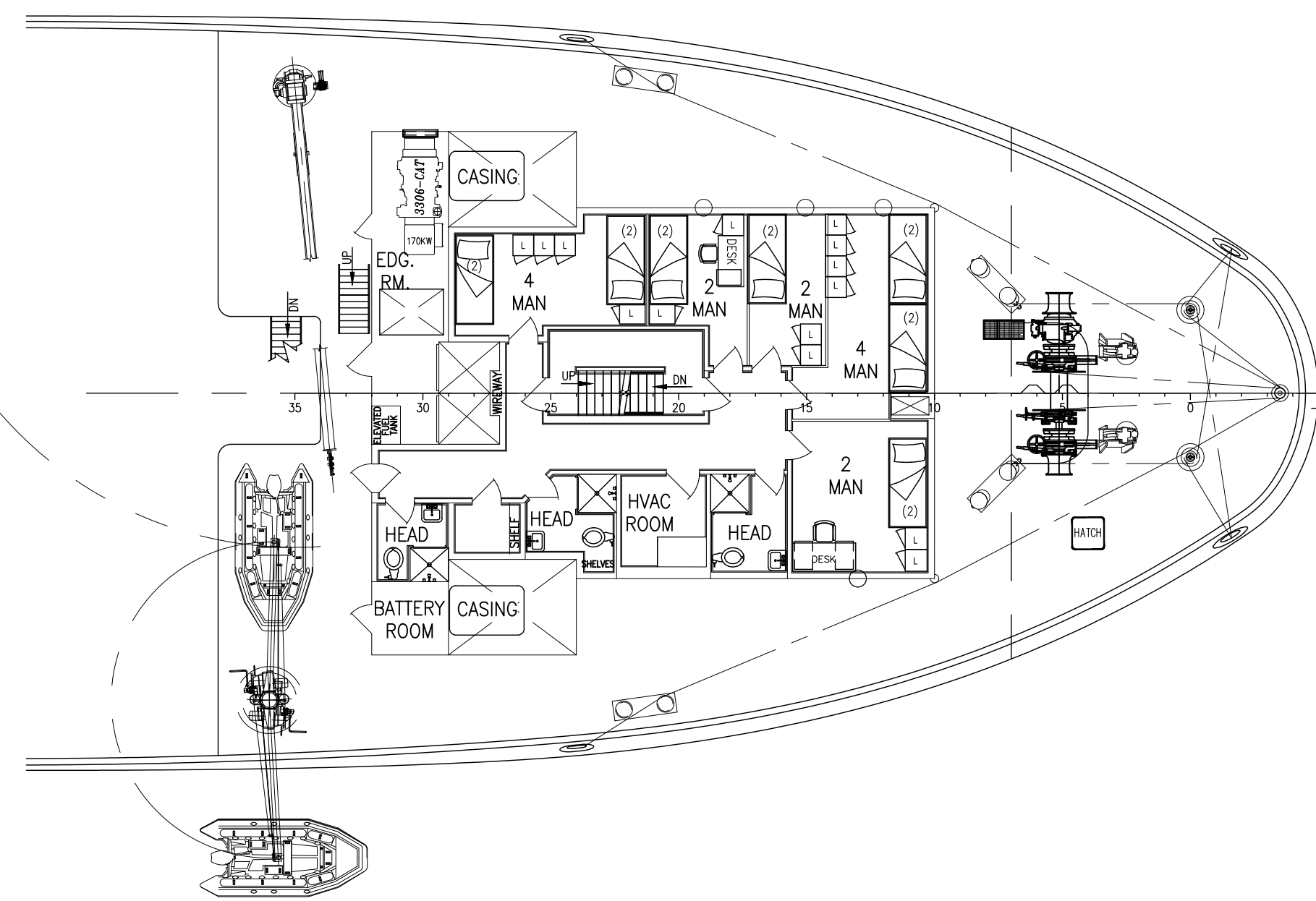
FRONT VIEW
BOW SHOWN, LKG AFT



02 DECK PLAN
42'-6" ABL



CARGO SECTION
FR70 LKG FWD



01 DECK PLAN
34'-2" ABL

THIS DRAWING, DESIGN CONCEPT AND SPECIFICATIONS ARE THE PROPERTY OF HORNBECK OFFSHORE SERVICES AND ARE FURNISHED ON A CONFIDENTIAL BASIS WITH AN EXPRESSED UNDERSTANDING THAT THEY WILL NOT BE COPIED IN ANY MANNER USED FOR MANUFACTURING, SOLD, TRANSFERRED, NOR USED TO THE DETRIMENT OF SAID FIRM WITHOUT WRITTEN PERMISSION.

HOS HORNBECK OFFSHORE SERVICES

OUTBOARD PROFILE & GENERAL ARRANGEMENT			SIZE D
TASK No. 7582	DRAWING No. 1.001	SCALE: 3/32"=1'-0"	REV. 1
HULL No. 230	SY: NAS	DATE: 03/23/22	SHEET 3 OF 3

24

23

22

21

20

19

18

17